



metalmeccanica moderna

Lama Grader Dual GR 220-270

GRADER BLADE GR 220/270



- *Suitable for tillage, soil preparation and leveling.*
- *Ideal for warehouses, gardening, sport centers, urbanization projects.*
- *Excellent visibility inside the vehicle and accessibility to the skid loader.*
- *Countless possibilities of blade angle.*
- *Width blade mm 2200 or mm 2700 thanks to the bolted extensions supplied as standard.*

GRADER BLADE GR 220/270



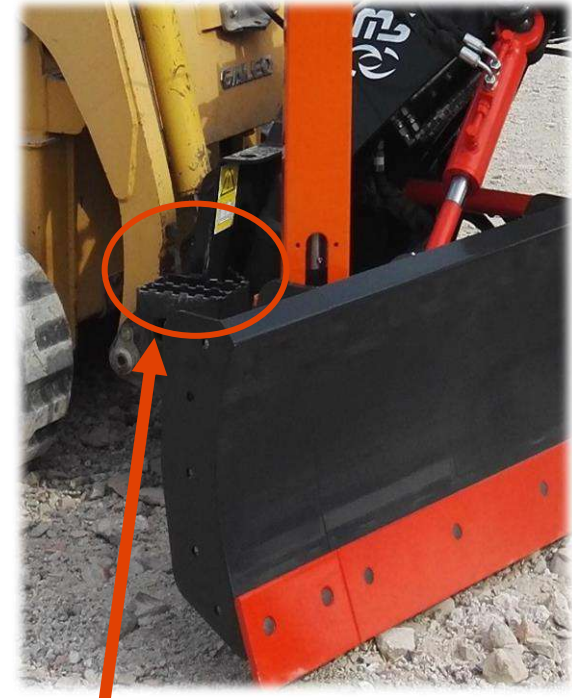
- *Front axle floating wheels: high adaptability to the ground.*
 - *First quality steel, bolt-on blade in wear-resistant steel 450 HB*
 - *One-piece hydraulic system fully protected into the frame, hydraulic hoses with sleeve and cylinders with block valves.*
 - *Neumatic tyres.*
 - *Grader Control device : control box, high-sensitivity electrohydraulic controls, hyone-piece hydraulic system with two propotional elements and two on / off elements.*
-

Technical Specs – GRADER BLADE

Excellent visibility inside the machine and accessibility to the skid loader



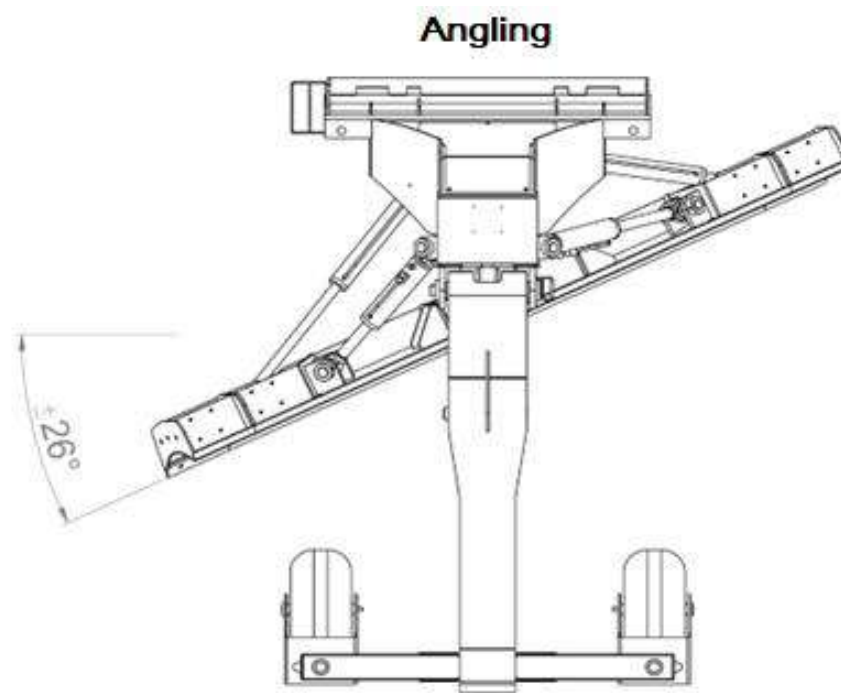
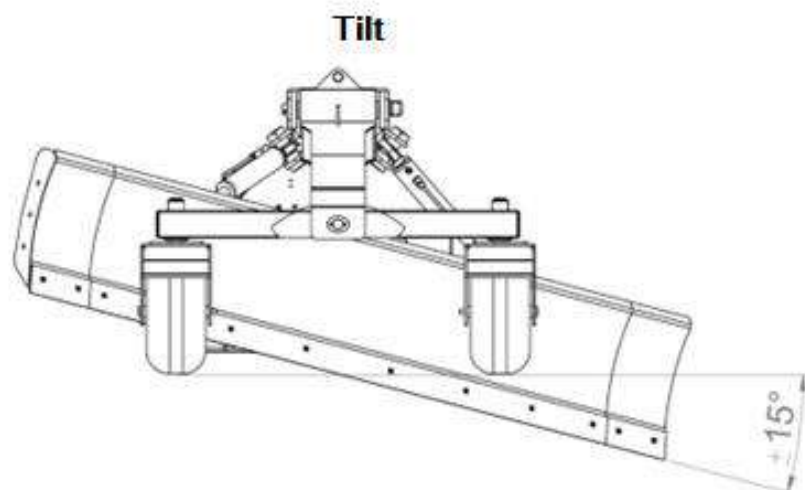
Working with high visibility from the cab



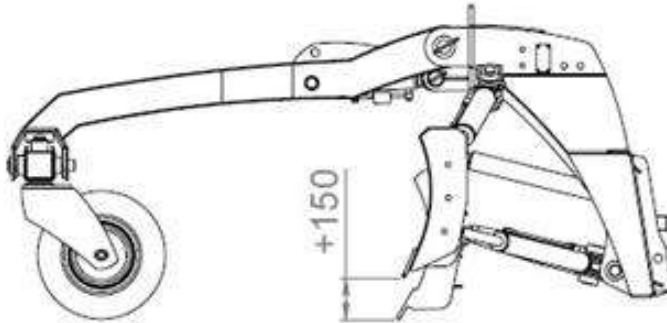
Access step to the machine

Technical Specs – GRADER BLADE

Countless possibilities of blade inclination

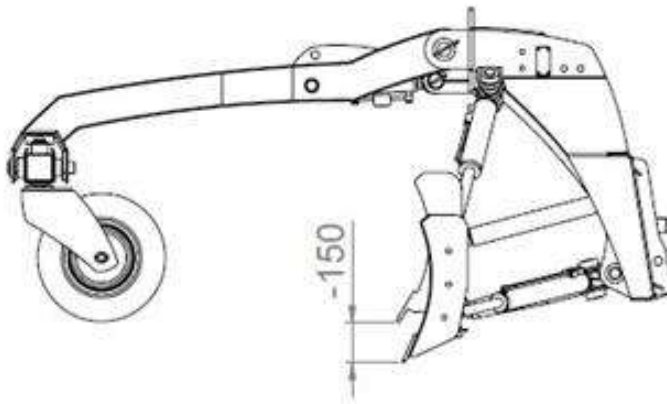


Blade up



Vertical adjustment of the blade

Blade down



Technical Specs – GRADER BLADE

First quality steel, bolt-on Blade in wear-resistant Steel HB450HBW

*Bolt-on blade
with extension*

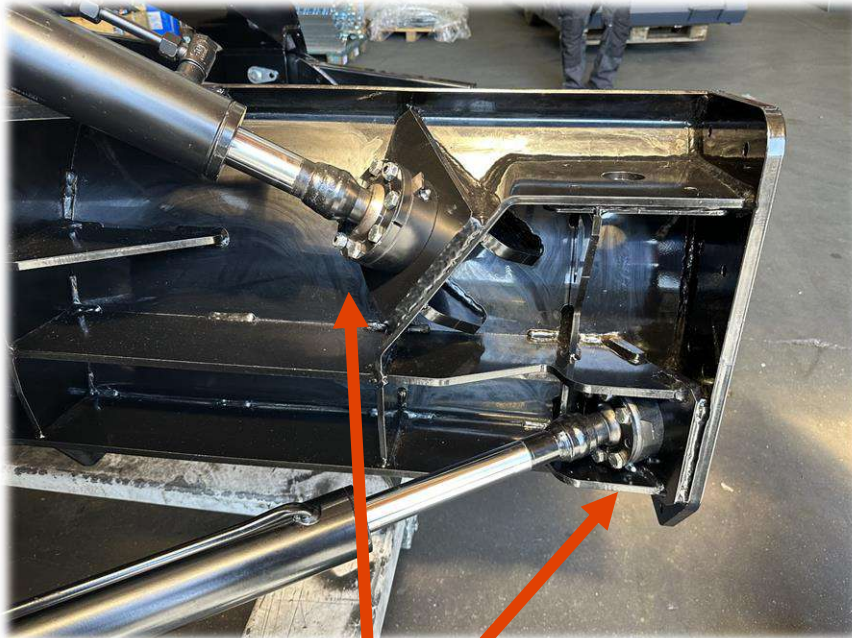


*Front axle floating wheels, high adaptability
to the shape of the ground*

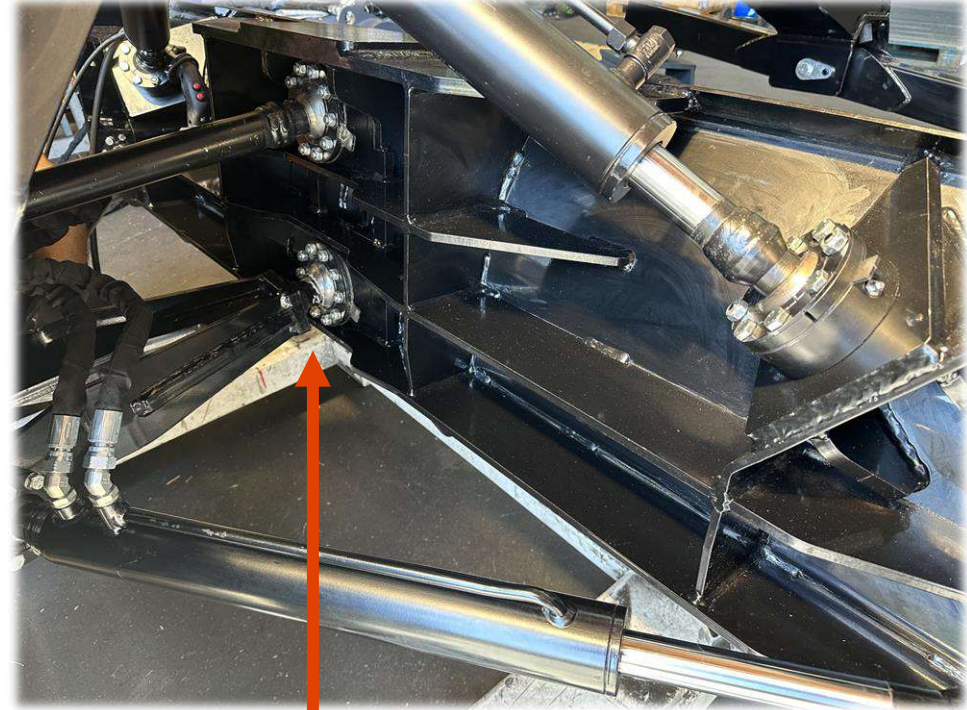


Technical Specs – GRADER BLADE

Trunnion pin on all cylinders



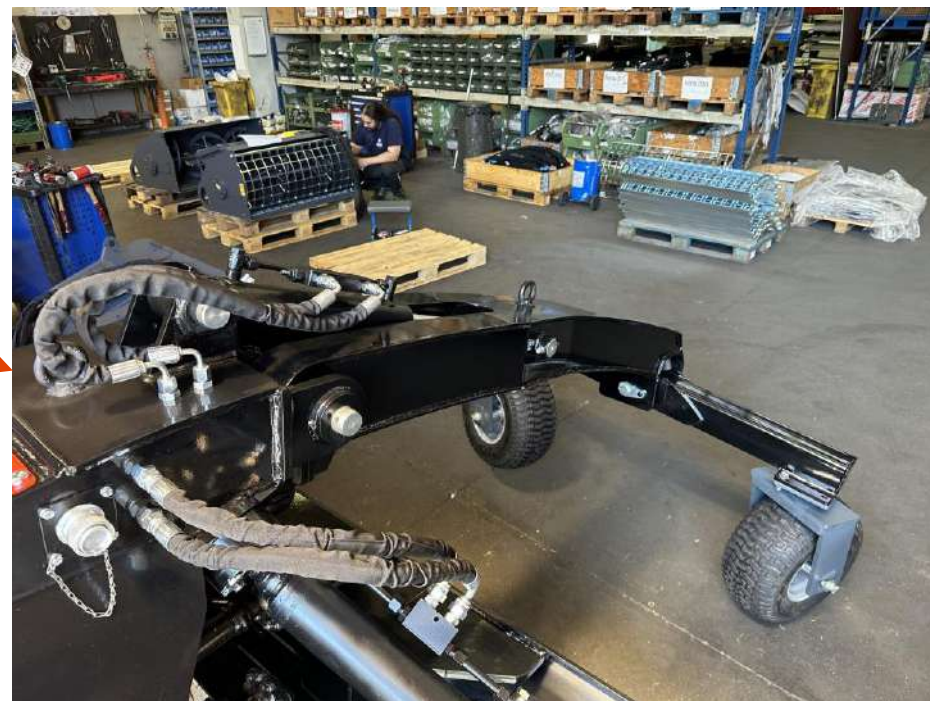
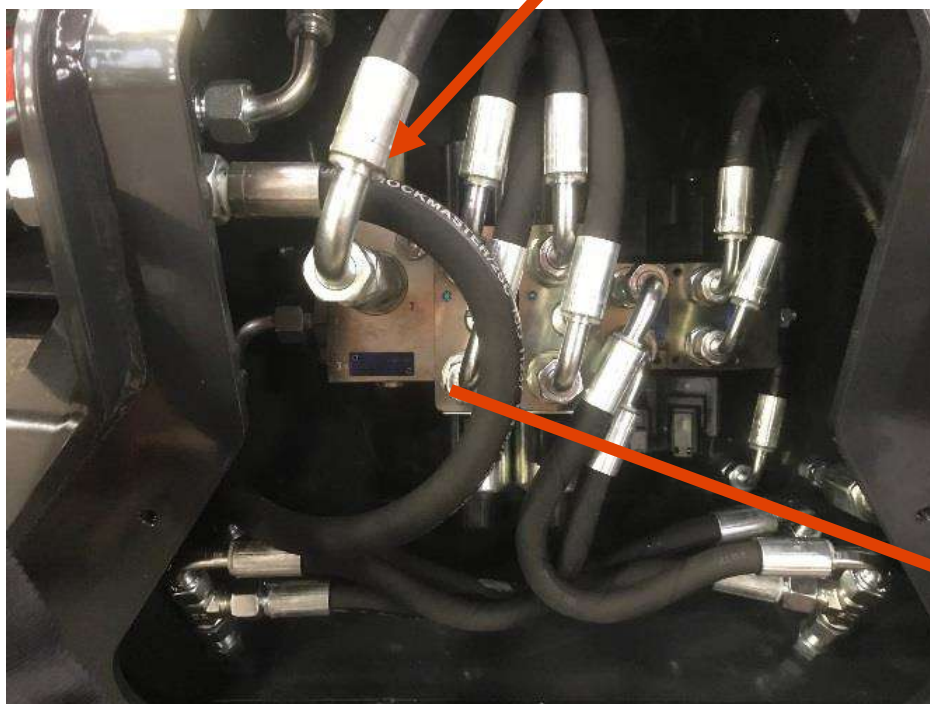
Cylinder with trunnion pin $\varnothing 60-70\text{mm}$ for greater resistance in phase of push



Main trunnion pin $\varnothing 80\text{mm}$ same concept of dozer machines

Technical Specs – GRADER BLADE

Hydraulic system fully protected inside the frame



Technical Specs – GRADER BLADE

Pneumatic tyres



Free 360° pivot movement



18" x 8.50" – 8 SIZE, TUBELESS

Technical Specs – GRADER BLADE

Control box to be placed in the cab for the control of the grader movements

Automatic / manual control



Simultaneous blade lift control



Joystick complete with wiring for direct connection to the battery



1. *Left tilting control*
2. *Right tilting control*
3. *Angling control*
4. *Wheels lift / lowering*

Technical Specs – GRADER BLADE

Optional accessories



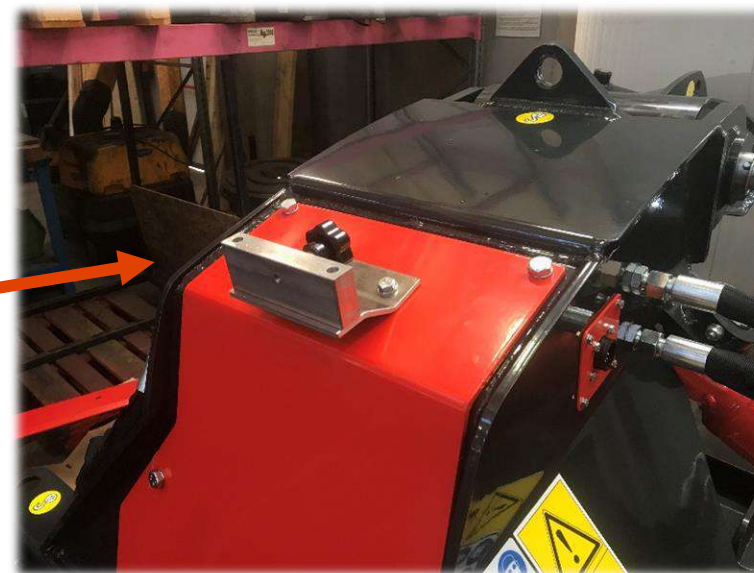
Fully automatic laser control system

Technical Specs – GRADER BLADE

Optional accessories



Control box laser system



Mounting plate for the control box

Technical Specs – GRADER BLADE

Optional accessories



Laser receiver

Technical Specs – GRADER BLADE

Optional accessories



*Manual control receiving pole.
Blade edge height - point «0» mm 1990*







metalmeccanicamoderna

M3 MetalMeccanica Moderna s.r.l.

Strada della Pace, 23 - Mezzani

43058 Sorbolo Mezzani (PR) - ITALY

Ph. +39 0521 316053 - E-mail: info@m3srl.com

www.m3srl.com